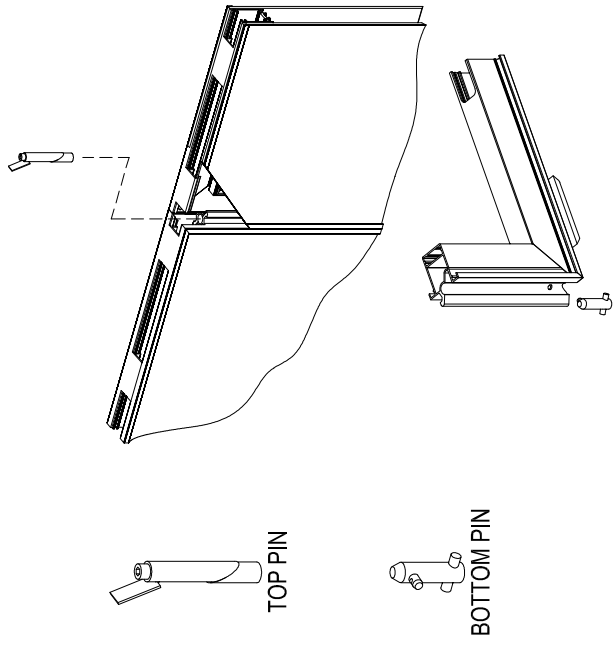
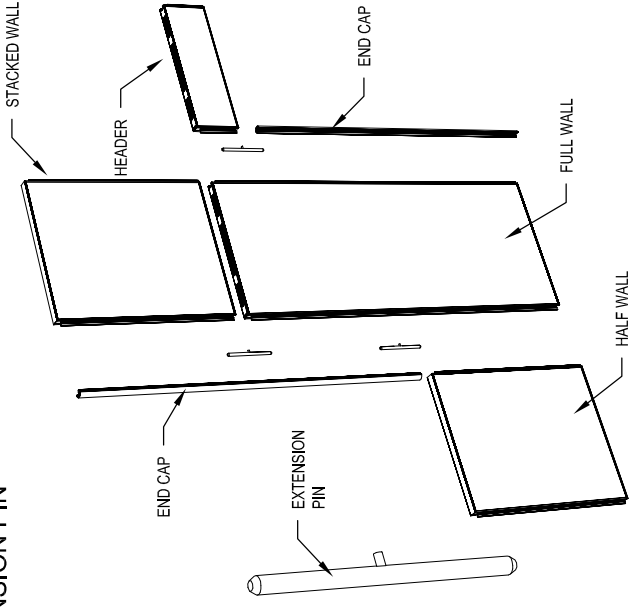


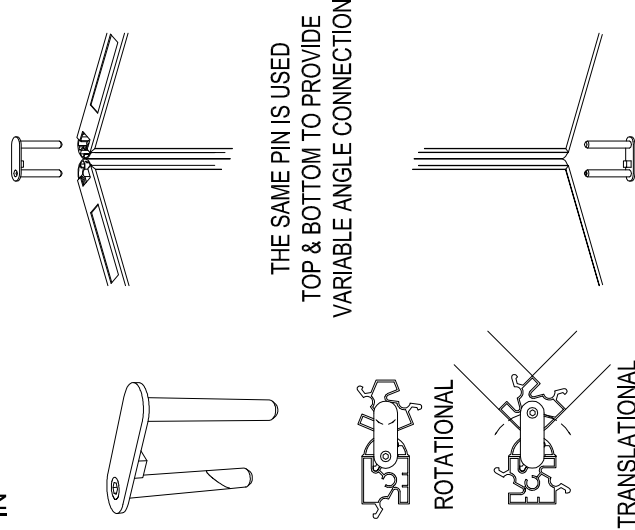
CONNECTOR PINS



EXTENSION PIN

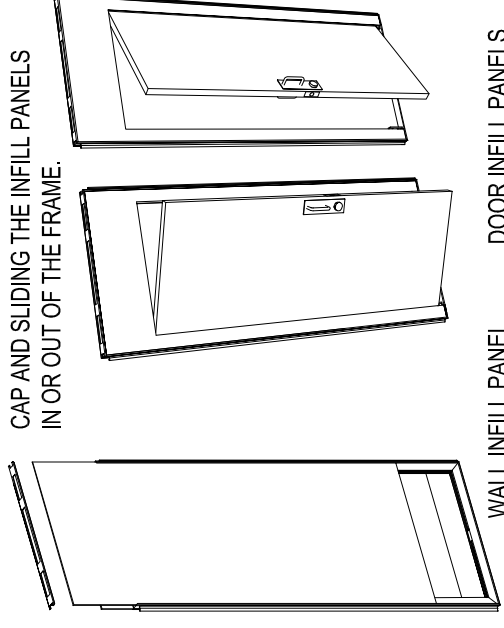


PIVOT PIN



WALL INFILL PANELS

STANDARD INFILLS ARE TYPICALLY 6MM (1/4") MATERIAL. THEY ARE EASILY CHANGED BY LIFTING OFF THE SNAP CAP AND SLIDING THE INFILL PANELS IN OR OUT OF THE FRAME.



HIGHMARK
TECHNOLOGIES
PERFORMANCE PARTIAL SYSTEMS

8333 Clinton Park Drive
Fort Wayne, IN 46825
Phone: 260-483-0012
Fax: 260-482-4877

Client: Highmark Tech.
Description: Setup Instructions
ExZact Wall System
Date: 12/09/2008 E / 3
© 2008 All Rights Reserved
Drawn By: D Overmyer

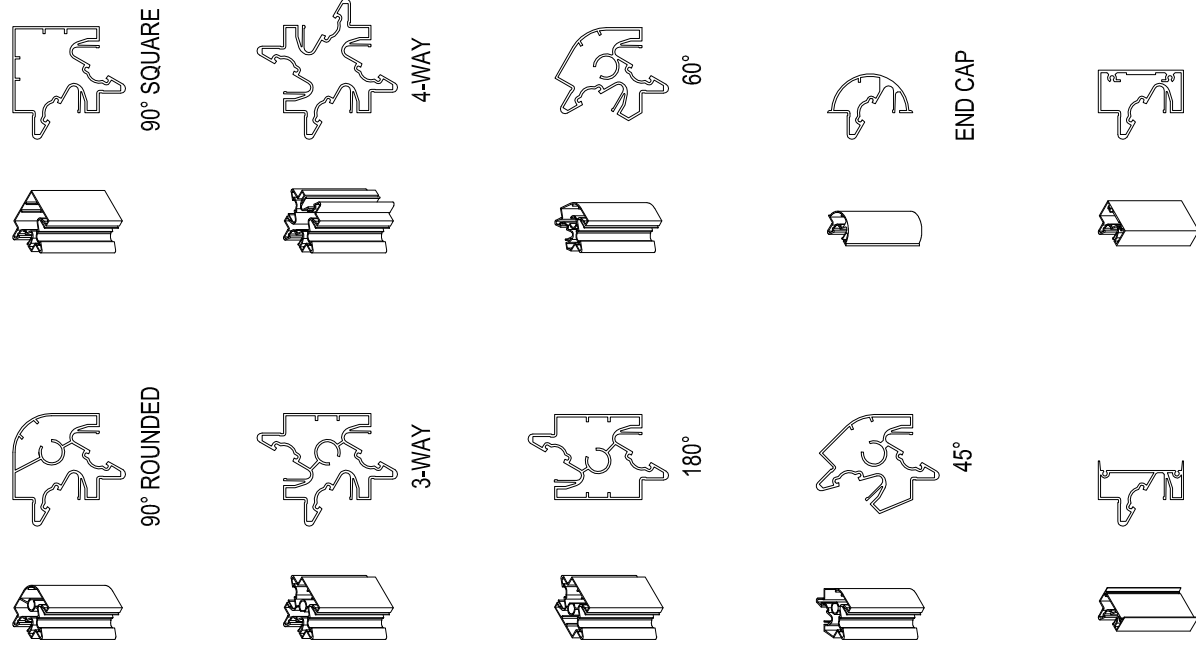
REVISIONS	DATE
A	
B	
C	
D	

Misc. Components:

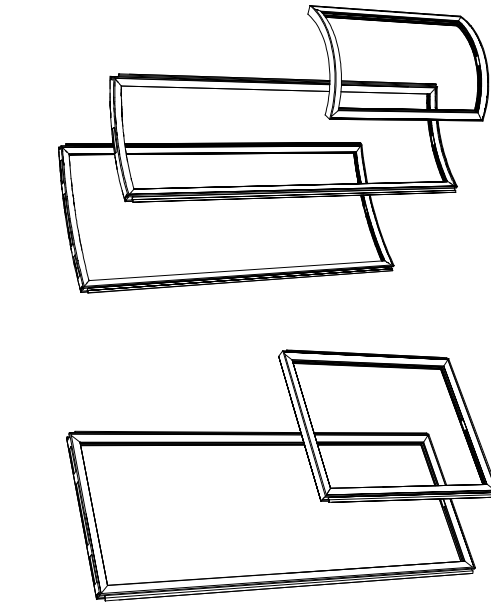
<input type="checkbox"/>	<input type="checkbox"/>	<input type="checkbox"/>	<input type="checkbox"/>	<input type="checkbox"/>	<input type="checkbox"/>
--------------------------	--------------------------	--------------------------	--------------------------	--------------------------	--------------------------

Notes:

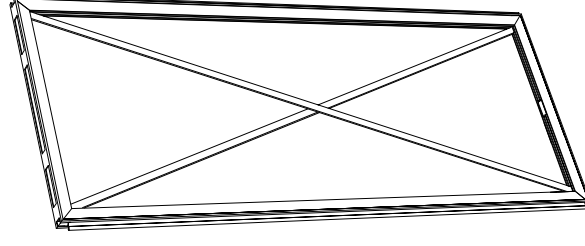
JOINING CONNECTORS



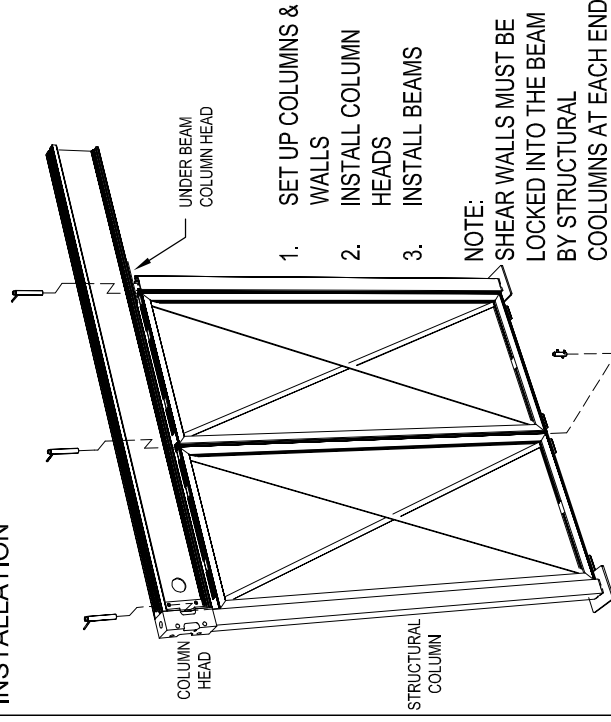
WALL FRAMES



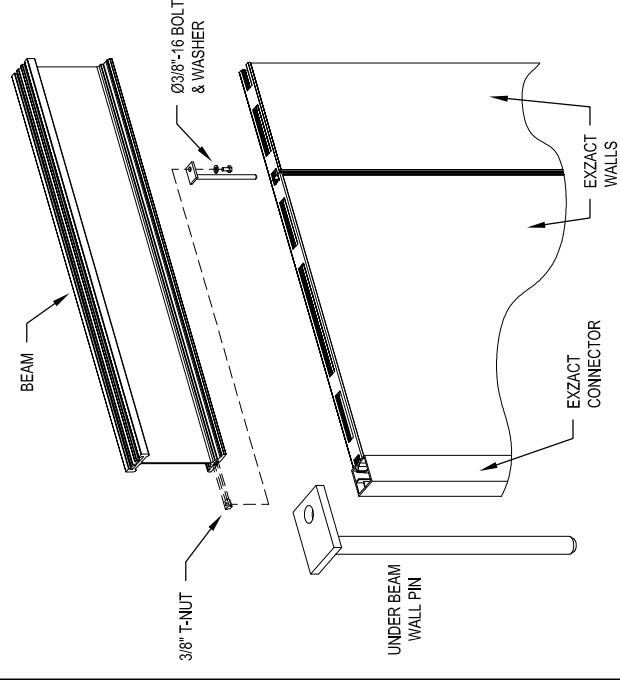
STRUCTURAL SHEAR FRAME WALL



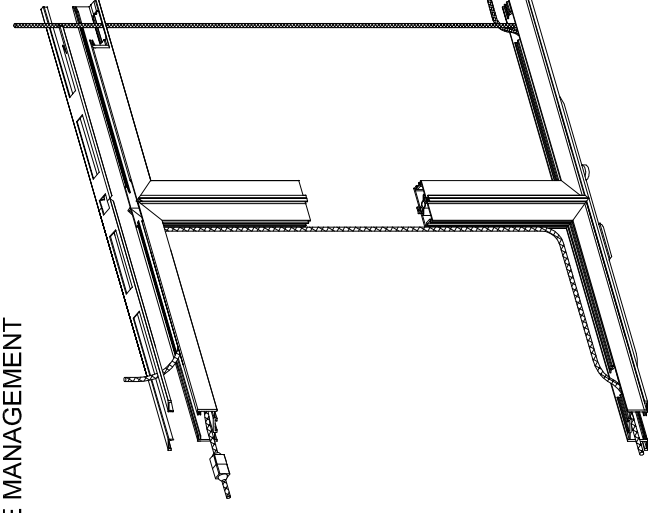
SHEAR WALL INSTALLATION



UNDER BEAM WALL PIN



WIRE MANAGEMENT



EXZACT WALL MAGNETIC PORTAL COLUMN MOUNT

