

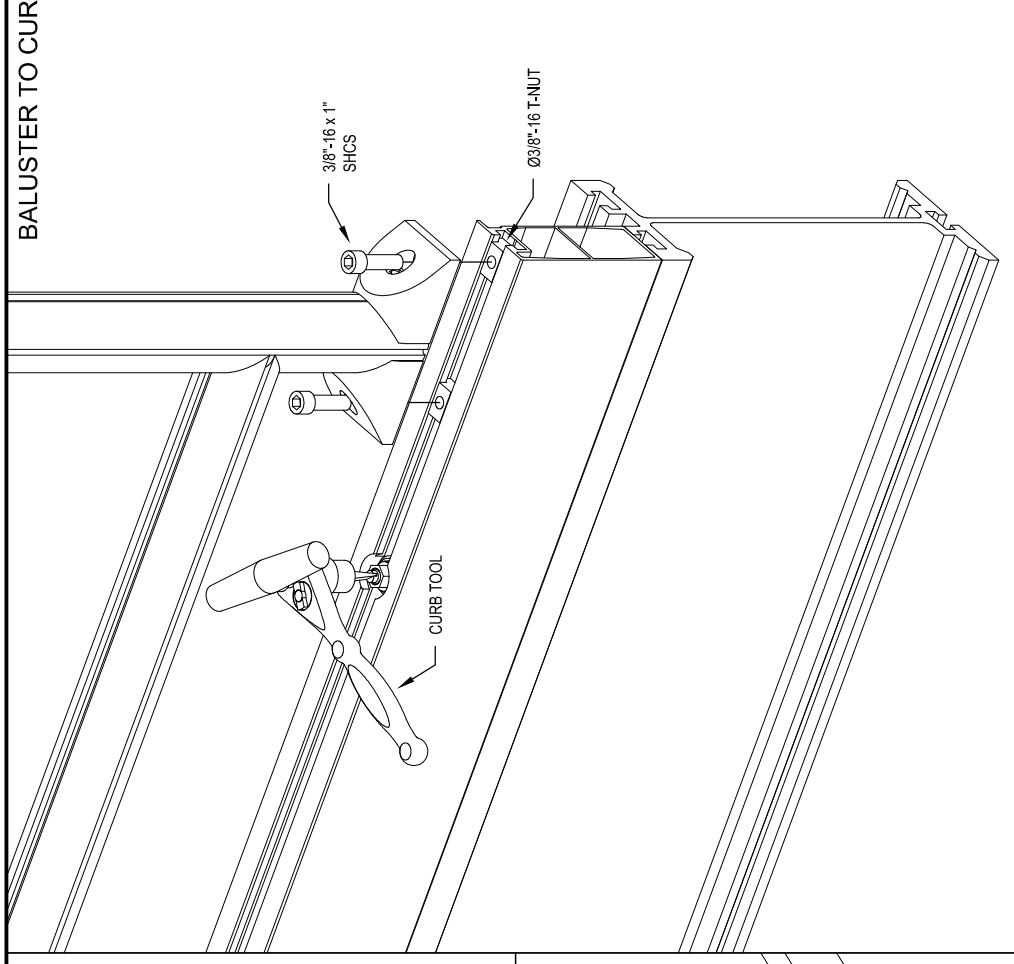
REVISIONS	DATE
A	
B	
C	
D	

Misc. Components:

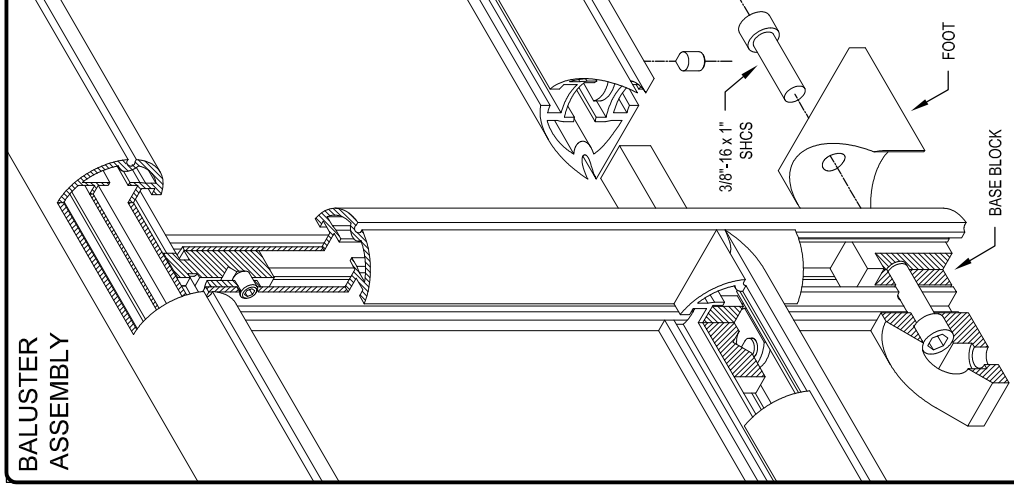
<input type="checkbox"/>	<input type="checkbox"/>	<input type="checkbox"/>	<input type="checkbox"/>	<input type="checkbox"/>	<input type="checkbox"/>
--------------------------	--------------------------	--------------------------	--------------------------	--------------------------	--------------------------

Notes:

BALUSTER TO CURB



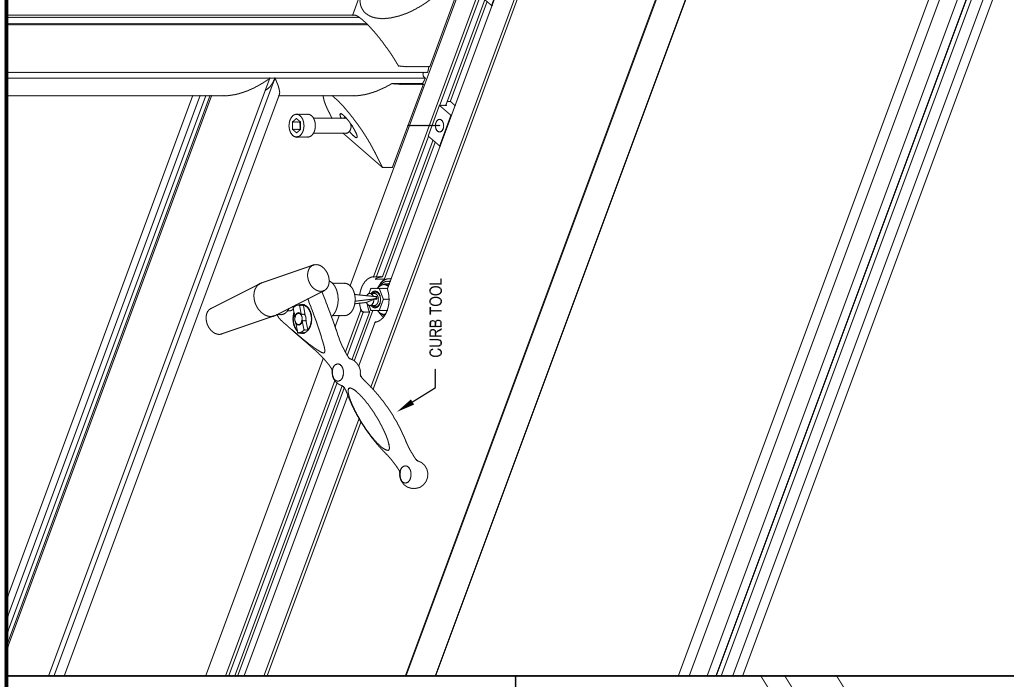
MITER CONNECTOR



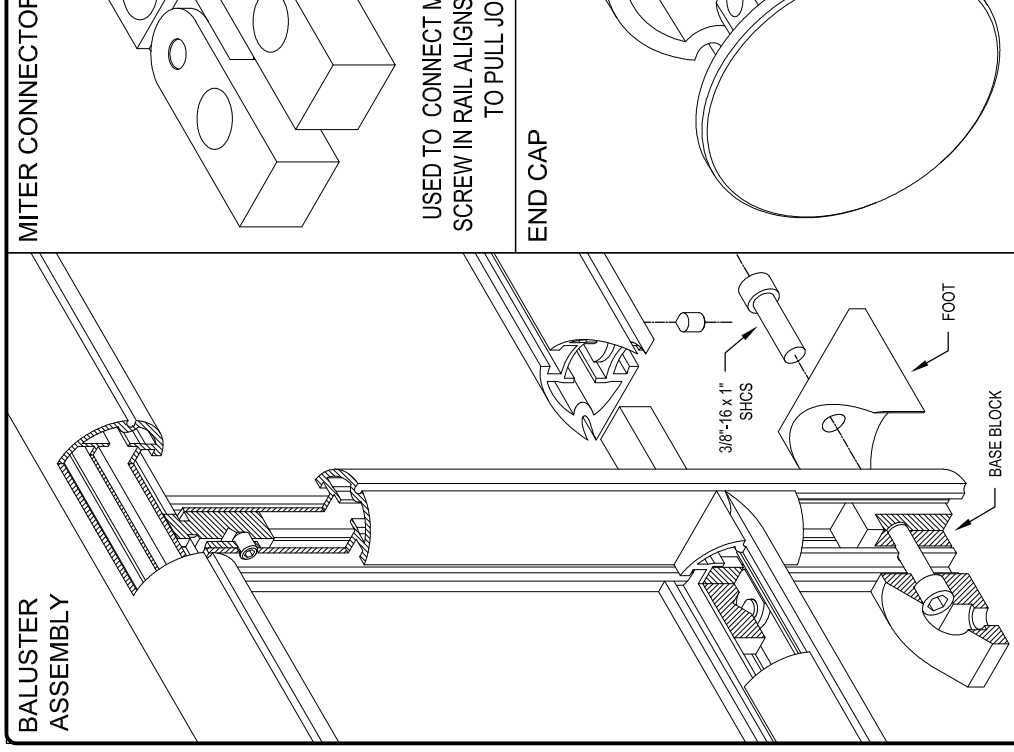
USED TO CONNECT MITERED RAILS. SET SCREW IN RAIL ALIGNS WITH COUNTERSINK TO PULL JOINT TIGHT.

END CAP

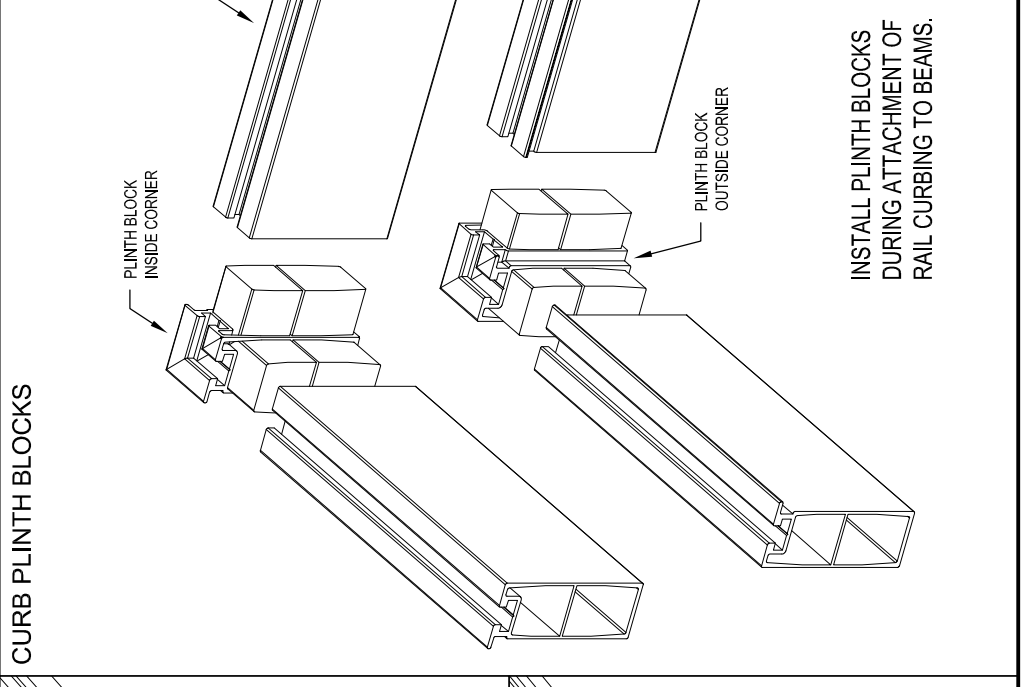
IN-LINE CONNECTION



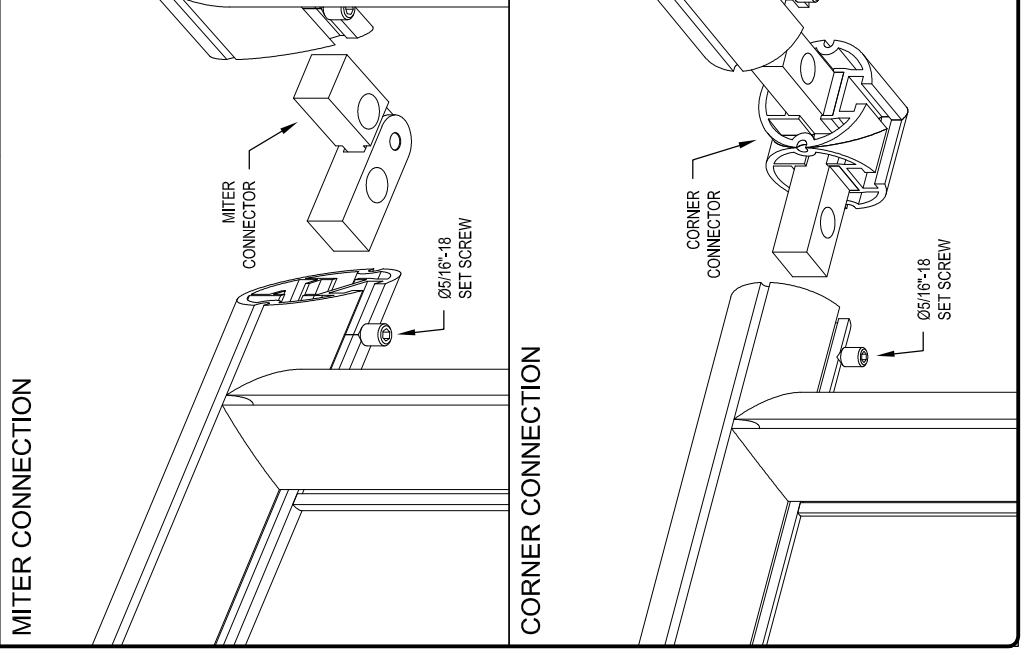
BALUSTER ASSEMBLY



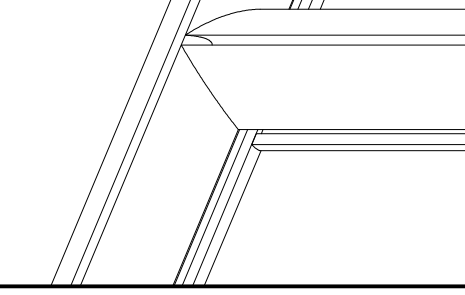
IN-FILL REPLACEMENT



CURB PLINTH BLOCKS



MITER CONNECTION



CORNER CONNECTION

